

No 4710 model kit
modèle réduit

1:12 scale
échelle

Fast and a winner, the leading Racer of the Thirties races

Bugatti Type 35B

**100%
NEW
MOULDS**



Bugatti Type 35B

The Bugatti Type 35 is one of the most iconic and revered racing cars in motor racing history, both technically and competitively. Ettore Bugatti's masterpiece was a unique mix of engineering skill, design, elegance, speed and its relatively light weight. Produced during the 1920s, it won an incredible number of races in both "road" and "on track" competitions. The Bugatti was in fact specifically designed for the world of racing, which included the introduction of technical and mechanical solutions for the car that made it ideal for the racing circuits of the period. Aesthetically, it was universally known and recognisable by the unmistakable shape of the horseshoe-shaped radiator which was a key design feature of Bugatti as a car manufacturer. Due to its 2,263 cm³ 8-cylinder engine with a four-speed mechanical gearbox and equipped with a volumetric compressor, the Bugatti Type 35B was able to attain a top speed of 210 km / h. It was produced in limited numbers until 1930.

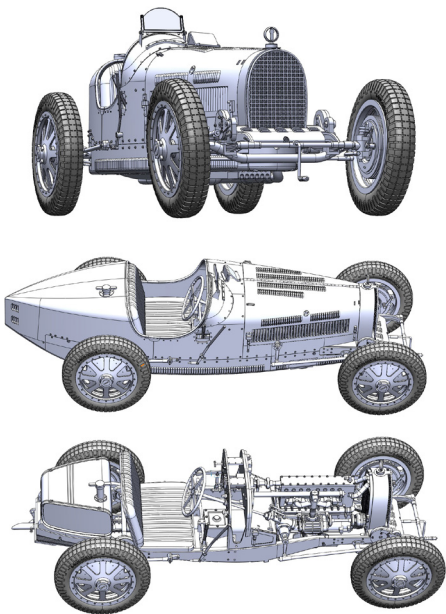
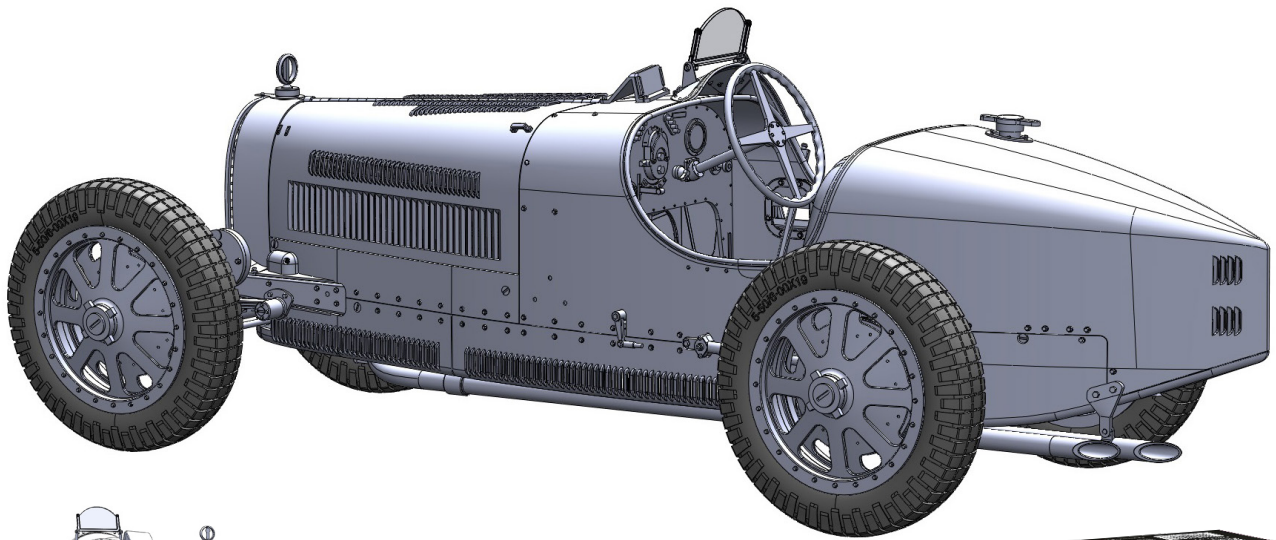
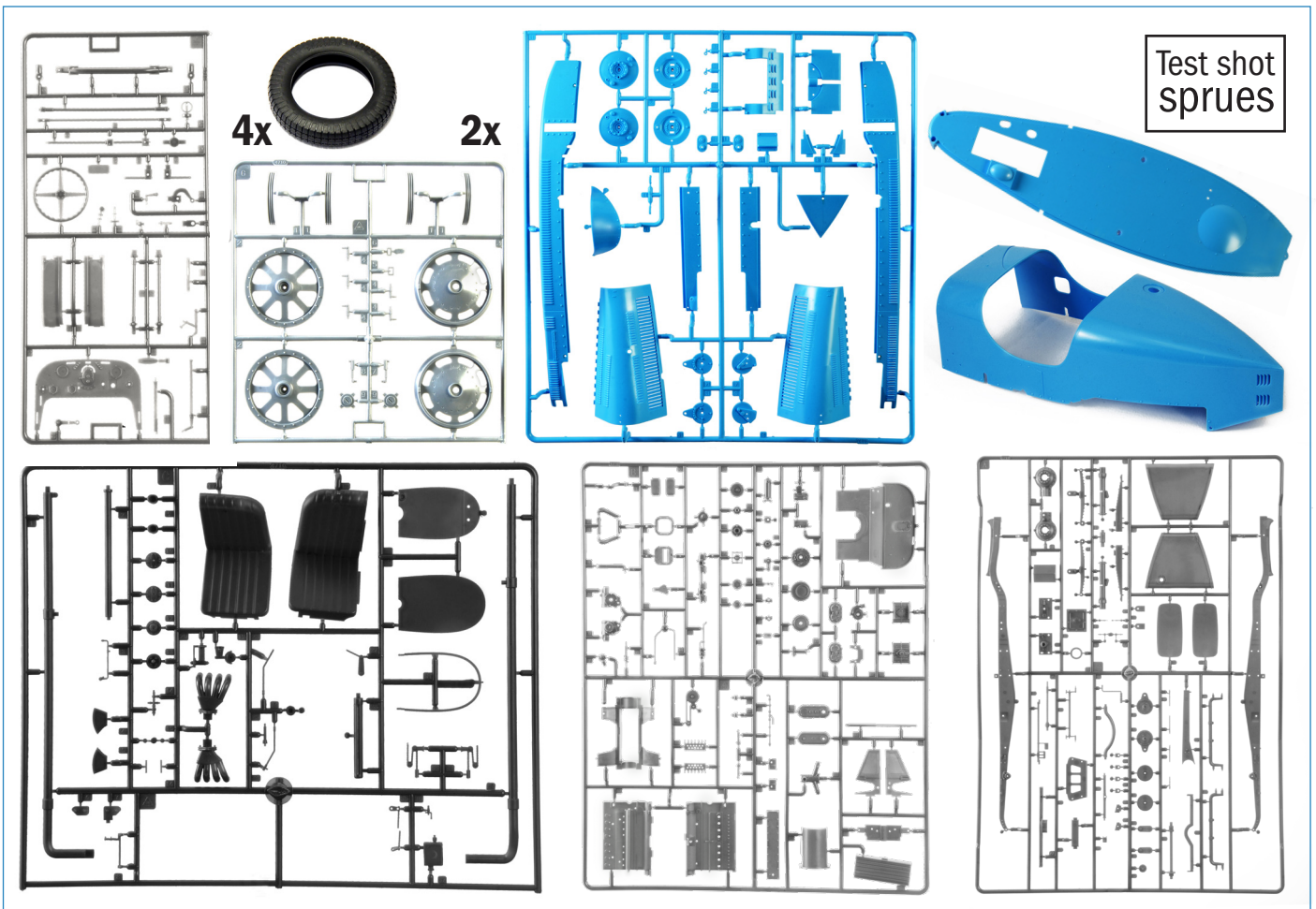
Model kit features:

- Steerable wheels
- Realistic suspension
- Highly detailed engine
- Rubber tires
- Photoetched parts
- Opening cowling
- Screws, tubes, and artificial leather
- 2 versions

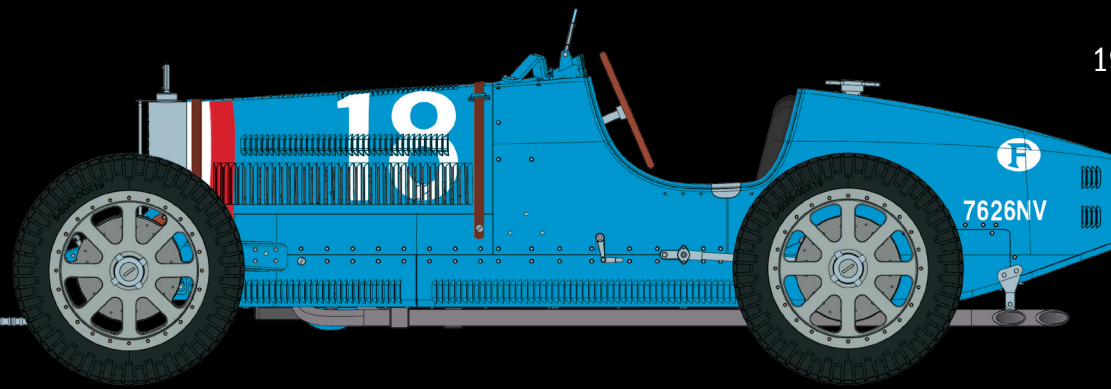


Louis Chiron during 1930 Monaco GP

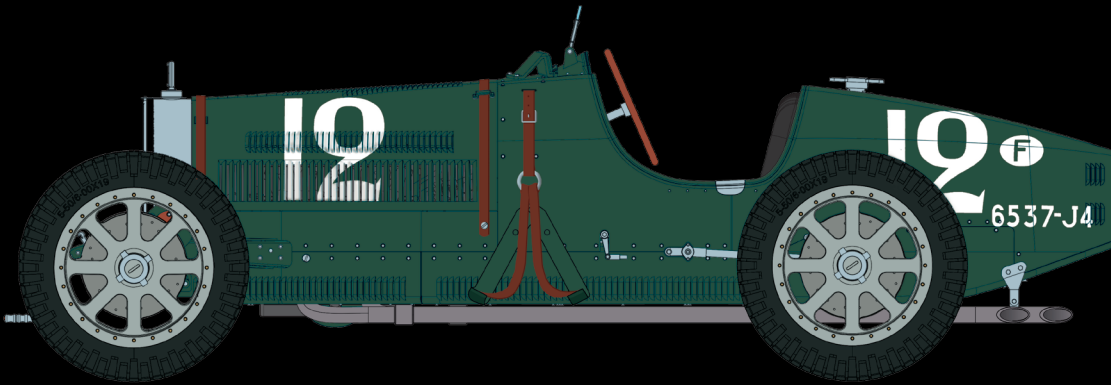

ITALERI
www.italeri.com



A version
1930 Monaco GP - 2nd
#18 Louis Chiron



B version
1929 Monaco GP - 1st
#12 William Grover-Williams



William Grover - Williams
during 1929
Monaco Gran Prix